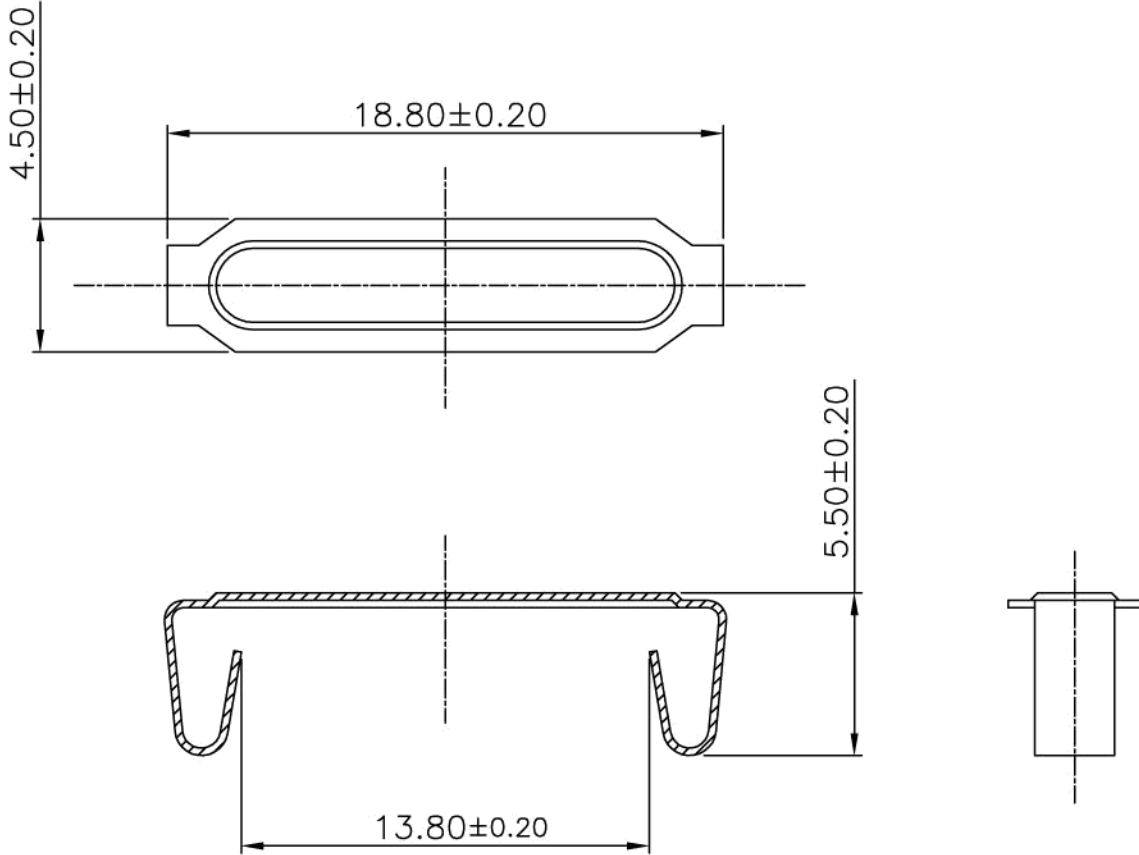


1	2		3		4	
			REVISIONS			
REV	SYM	DRAFTER	CHECKER	DATE		
△		T.S.Lii	W.H.Hsu	10/04/05		
△						
△						



T=0.25

PART NO.	Clamp EFD15 E-031C				
DWG NO.	MATERIAL (BOBBIN)	MATERIAL (TERMINAL)	TERMINAL (PLATING)	PIN ALOCATION	BUYER 'S PART NO.
E-031C		SUS301			

	TOLERANCE :	X ±0.15	.XX ±0.10	.XXX ±0.05	UNIT : m / m	SCALE 1 : 1	
Finish: 1. Immersion gold on terminal : Thickness gold $0.075 \mu\text{m}$ ($3 \mu\text{inches}$) min, Base nickel $0.625 \mu\text{m}$ ($25 \mu\text{inches}$) min. 2. Immersion Sn on terminal : Terminal: Sn plating, $100, 5 \mu\text{m}$ ($200 \mu\text{inches}$) min , Base nickel $0.625 \mu\text{m}$ ($25 \mu\text{inches}$) min. 3. Coplanarity deviation: 0.10 mm (0.004 inches) max.						REV	1