

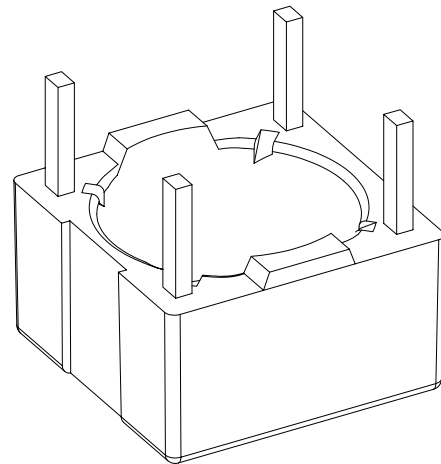
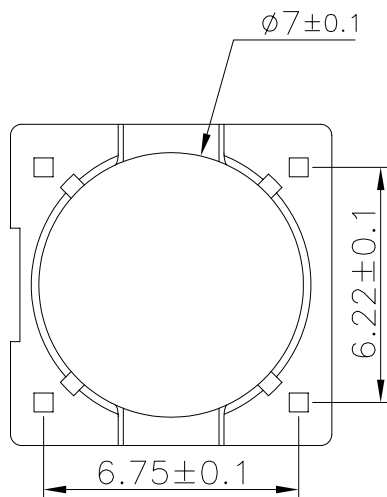
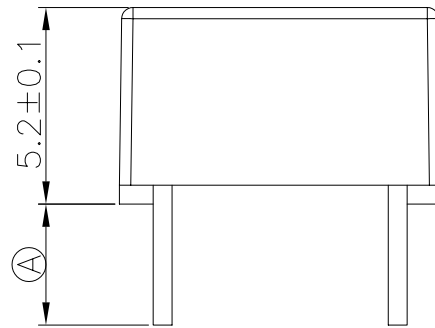
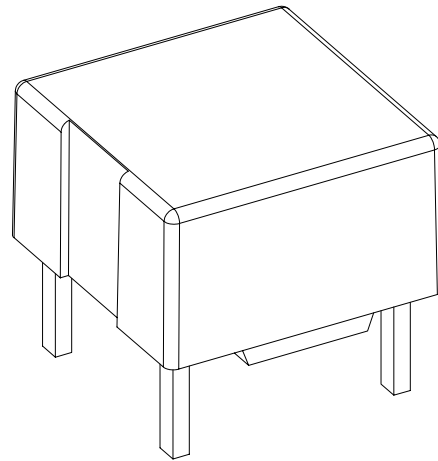
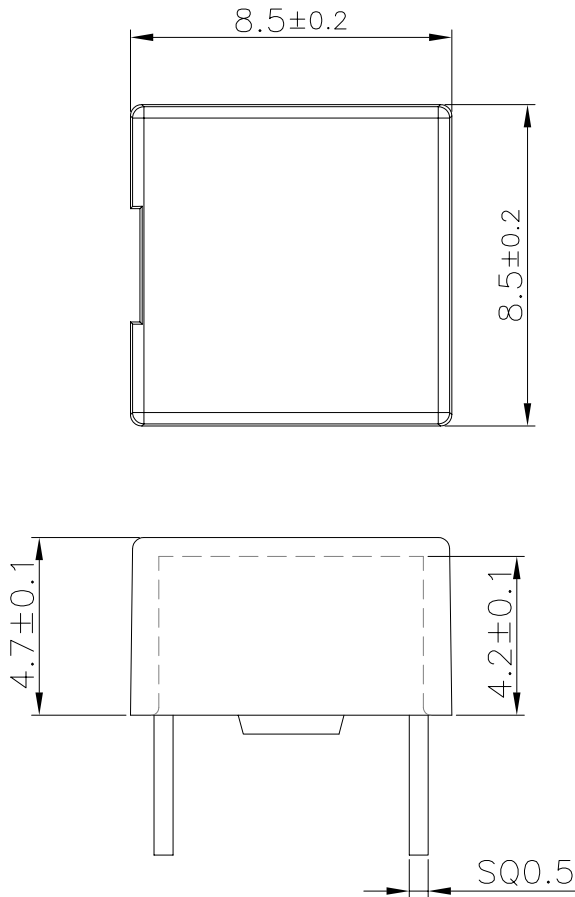


**TRANSFORMER BOBBIN
INDUSTRIAL CO.,LTD.**

Tel : 86-769-88789999 Fax : 86-769-88789989
 http:// tbi-tw.com e-mail : tb6688@ms46.hinet.net

REVISIONS

REV	SYM	DRAFTER	CHECKER	DATE
3		T.S.LII	W.H.HSU	07/22/06
4		T.S.LII	W.H.HSU	04/02/07
5		S.Y.TANG	G.F.YANG	06/20/08

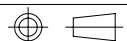


DWG NO. 633T-4P-TH-6.22-A-1

PART NO.	MATERIAL (BOBBIN)	MATERIAL (TERMINAL)	TERMINAL (PLATING)	PIN ALLOCATION	NOTE
----------	-------------------	---------------------	--------------------	----------------	------

TBI-218-02011.106	PM-9630JT	C.P WIRE	Sn	ALL PIN (A)=3.2±0.2	
-------------------	-----------	----------	----	---------------------	--

5 TBI-218-02011.116	PM-9630JT	C.P WIRE	Sn	ALL PIN (A)=3.7±0.3	
---------------------	-----------	----------	----	---------------------	--



TOLERANCE: .X±0.15 .XX±0.10 .XXX±0.05

UNIT : m / m

SCALE 5 : 1

Finish: 1. Pb wire Immersion Sn on terminal : Thickness:Sn plating,100,5 μm (200 μ inches) min,Base nickel 0.625 μm (25 μ inches) min.
 2. CP wire Immersion Sn on terminal : Thickness:Sn plating,100,5 μm (200 μ inches) min.
 3. Coplanarity deviation: 0.10 mm (0.004 inches) max.

REV 5