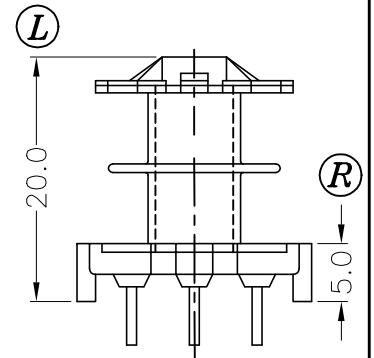
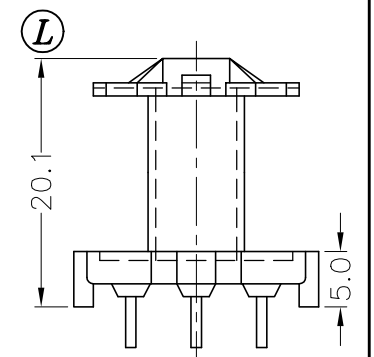


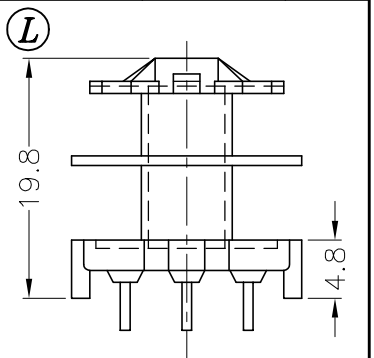
DRAWING NO.	MATERIAL:	ORIGIN:
P-2002-3	PET FR530	SZ



DRAWING NO.	MATERIAL:	ORIGIN:
P-2002-2	PA46 TE250F6	DG



DRAWING NO.	MATERIAL:	ORIGIN:
P-2002-1	PET FR530	DG



REV.	REVISIONS	REC.	REV.	REVISIONS	REC.
3	CANCEL (J),(R); UPDATE DRAWING				

DRAWN & DRAFTED BY RON CHENG	TOLERANCES		ANGLE:	TITLE:	
	0<L≤4 ±0.1	pin pitch ±0.2	±1°	T-H BOBBIN EF-20 (2 SEC)	
CHECKED & APPROVED BY JOHN RONG	4<L≤16 ±0.2		UNIT:	BOBBIN MATERIAL:	UL REC.
	16<L≤63 ±0.3	MM	PET FR530	UL 94V-0	
ORIGIN:		DG	PIN MATERIAL:	PIN TENSION LOAD:	
			CP WIRE	1.5KG MIN.	
DATE:		APR.04 '2003	DRAWING NO.	P-2002	REV. 3



PIN SHINE INDUSTRIAL CO.,LTD.

TEL:886-2-22990545

FAX:886-2-22990546