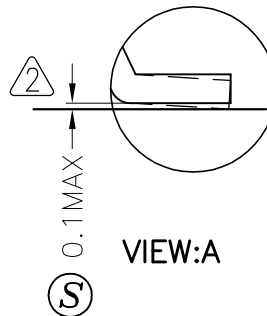
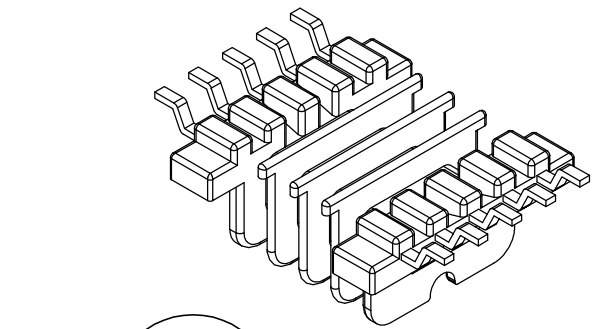
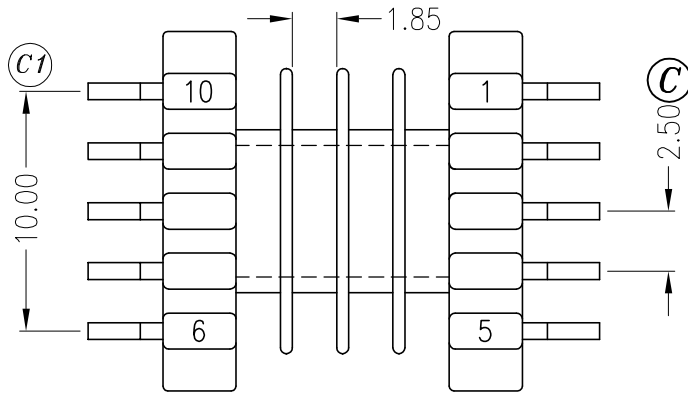
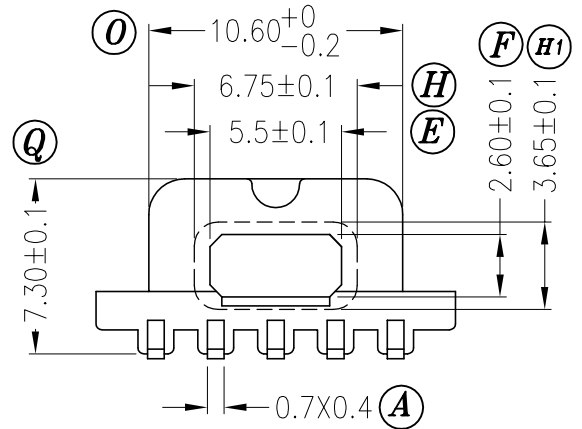


VIEW:A



VIEW:A

REV.	REVISIONS	REC.	DATE	REV.	REVISIONS	REC.	DATE
1	UPDATE FORMAT		'04.05.20				
2	ADD A DIMENSION:(S),AND CORRECT DIM.(T1)&(T2).		'05.04.28				

DRAWN & DRAFTED BY YE JIN HONG	TOLERANCES		ANGLE: ±1°	TITLE: SMD BOBBIN EFD-15		
	0<L≤4 ±0.1	pin pitch ±0.2	UNIT: MM	BOBBIN MATERIAL: LCP E4008	UL REC. UL 94V-0	
CHECKED & APPROVED BY JOHN RONG	4<L≤16 ±0.2		ORIGIN: DG	PIN MATERIAL: PHOSPHOR BRONZE	PIN TENSION LOAD: 1.0KG MIN	
	16<L≤63 ±0.3			DATE: ARP.20 '2005	DRAWING NO. S-1509-2	REV. 2



PIN SHINE INDUSTRIAL CO., LTD.
TEL:886-2-22990545 FAX:886-2-22990546