

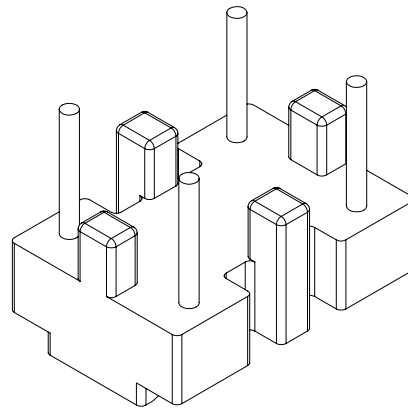
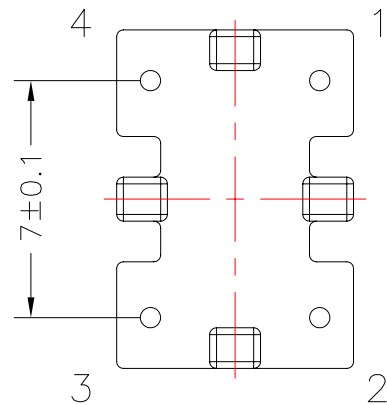
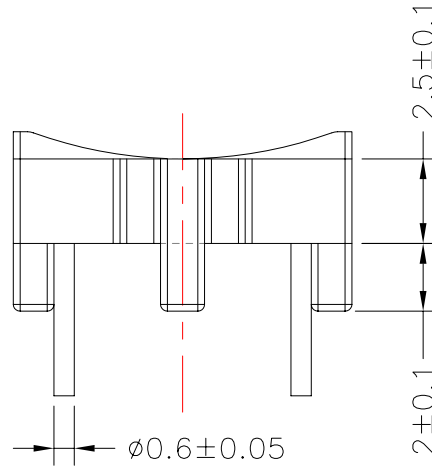
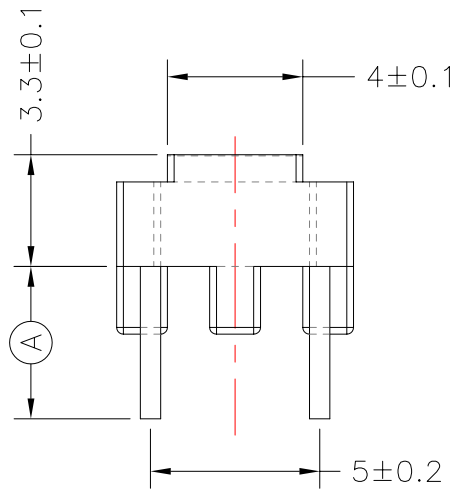
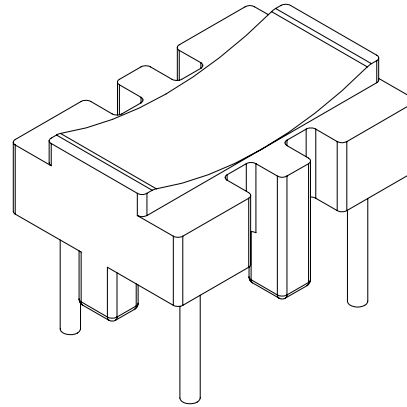
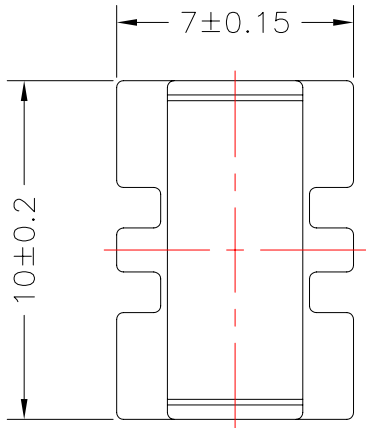


**TRANSFORMER BOBBIN  
INDUSTRIAL CO.,LTD.**

Tel : 86-769-88789999 Fax : 86-769-88789989  
http:// tbi-tw.com e-mail : tb6688@ms46.hinet.net

REVISIONS

REV	SYM	DRAFTER	CHECKER	DATE
①		S.Y.TANG	G.F.YANG	09/02/09
②				
③				



DWG NO.

B10X7-4P-TH-5.0-C-12

PART NO.

MATERIAL (BOBBIN)

MATERIAL (TERMINAL)

TERMINAL (PLATING)

PIN ALLOCATION

NOTE

TBI-220-16031.1206

PM-9820

CP WIRE

Sn

ALL PIN (A)=4.5±0.3

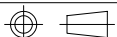
TBI-220-16031.1216

PM-9820

CP WIRE

Sn

ALL PIN (A)=5.4±0.3



TOLERANCE: .X±0.15 .XX±0.10 .XXX±0.05

UNIT : m / m

SCALE 1 : 1

Finish: 1. PB wire Immersion Sn on terminal : Thickness:Sn plating,100,5 μm (200 μ inches) min,Base nickel 0.625 μm (25 μ inches) min.  
2. CP wire Immersion Sn on terminal : Thickness:Sn plating,100,5 μm (200 μ inches) min.  
3. Coplanarity deviation: 0.10 mm (0.004 inches )max.

REV

1