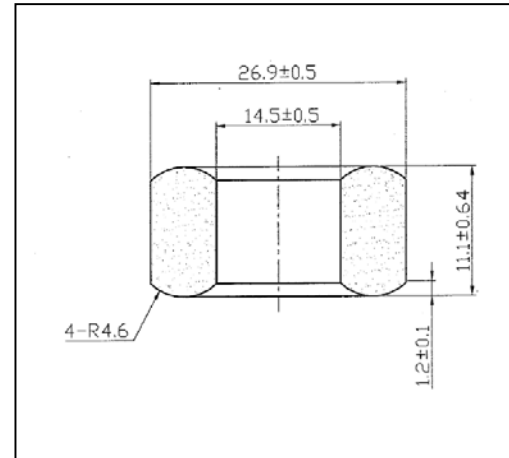


## CORE SETS

## Effective core parameters

SYMBOL	PARAMETER	VALUE	UNIT
$\Sigma(l/A)$	core factor( $C_1$ )	9.85	$\text{cm}^{-1}$
le	effective length	6.49	cm
Ae	effective area	0.659	$\text{cm}^2$
Ve	effective volume	4.28	$\text{cm}^3$



dimension	before coating	after coating
OD	26.9±0.20	26.9±0.5
ID	14.5±0.20	14.5±0.5
HT	11.1±0.25	11.1±0.64

## Characteristic

GRADE	AL(nH/N2)	CORE LOSS(mW) Max		
	f=10KHz V= 0.05V	f=100KHz B=14mT T=25°C	f=250KHz B=10mT T=25°C	f=500KHz B=5mT T=25°C
-2	13.5			
-8	45	149.80	212.29	119.84
-18	70	226.41	320.14	182.33
-26	93	408.74	861.56	684.37
-28	30	753.28	1525.82	1181.28
-30	30	689.08	1091.40	693.36
-33	40	885.96	1771.92	1433.80
-34	40	403.60	639.86	393.76
-35	40	590.64	937.32	599.20
-38	108	492.20	1181.28	1057.16
-40	81	624.88	1326.80	1082.84
-52	95	285.48	467.80	310.30